

GROUND: customer requirement

Bulletin Y4R 2026-8	TRACTOR MODEL	1221T.2/ 1221.2/ 1221B.2/ 1221.3/ 1221.4
------------------------	---------------	--

Abstract

This operation bulletin provides the following information:

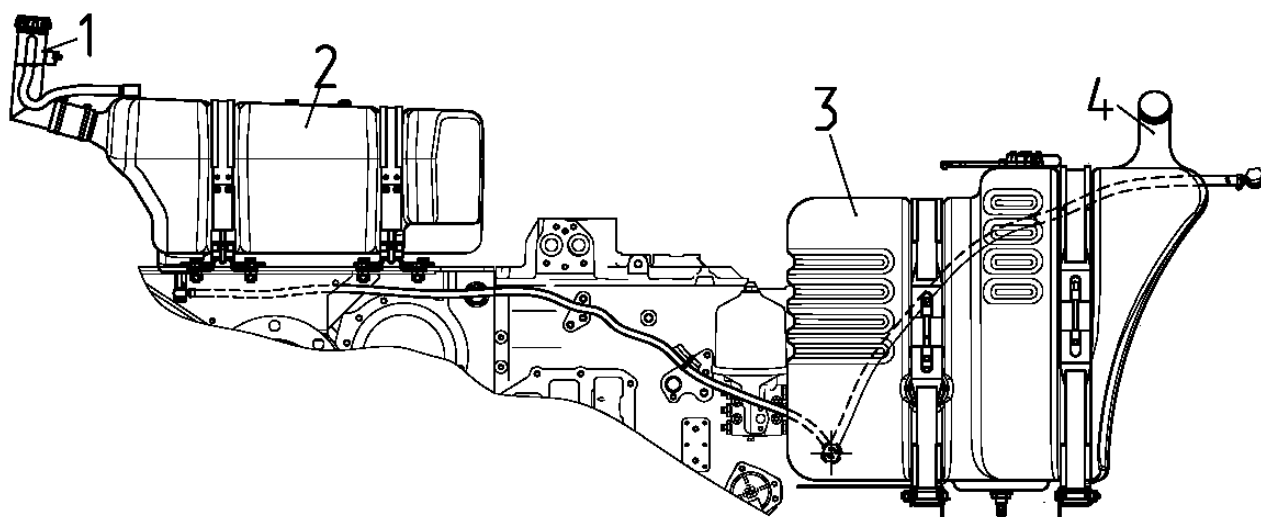
- information on the installation of new design fuel tanks with increased capacity is presented;
- the grades and volume of fuel used on tractors have been refined.

Content of changes

Item 2.29.2 Tractors with two fuel tanks (optional configuration). Rewrite as follows:

Upon request, the tractors can be equipped with two fuel tanks:

- tank 2 (Figure 2.29.2), installed under the cab, with a capacity of 140 liters;
- tank 3, attached to the tractor's right side rail, with a capacity of 140 liters.



- 1 – filler neck of the fuel tank located under the cab; 2 – fuel tank located under the cab;
3 – side fuel tank; 4 – filler neck of the side fuel tank

Figure 2.29.2 – Assembly of two fuel tanks

Item 3.24.2 Programming order of integrated indicator. In Table 3.24.1, introduce the following change for parameter "V".

The information available:

"140" – value only on 1221.4 with one fuel tank. Value "260" is set on all 1221 modifications with two fuel tanks.

To be replaced with:

"140" – value for all modifications with one fuel tank. Value "280" is set on all 1221 modifications with two fuel tanks.

Subsection 6.8 Filling and lubrication of the tractor with fuel and lubrication materials. In Table 6.8.1, item 1 "Fuels" rewrite as follows:

Table 6.8.1 – List of FLM for BELARUS-1221T.2/1221.2/1221V.2/1221.3/1221.4 tractors

Item reference	Title of the assembly unit	Quantity of assembly units, pieces	Name and designation of FLM brands				Weight (volume) of FLM filled in the tractor, when change or refill is needed (dm ³)	Change intervals for FLM, hours	Note
			Basic components	Backup components	Auxiliary compounds	Foreign-made			
1	2	3	4	5	6	7	8	9	10
1 Fuels									
11	Fuel tank	1	With the ambient temperature 0 °C and higher				(140±5)	Filled in every shift	1221T.2/1221.2/1221V.2/1221.3/1221.4 (one fuel tank – basic configuration)
			Diesel fuel DT-L-K4, DT-L-K5, grade B STB 1658-2015	Not available	Not available	Diesel fuel EN 590:2025 with sulfur content not more than 50 mg/kg (0.005%)			
			With ambient temperature minus 5 °C and higher						
			Diesel fuel DT-L-K4, DT-L-K5, grade C STB 1658-2015	Not available	Not available	Diesel fuel EN 590:2025 with sulfur content not more than 50 mg/kg (0.005%)			
			With ambient temperature minus 20 °C and higher				(280±5)		1221.2/1221.3/1221.4 (with additional fuel tank – optional configuration)
			Diesel fuel DT-Z-K5, class 0 (grade F) STB 1658-2015	Not available	Not available	Diesel fuel EN 590:2025 with sulfur content not more than 50 mg/kg (0.005%)			